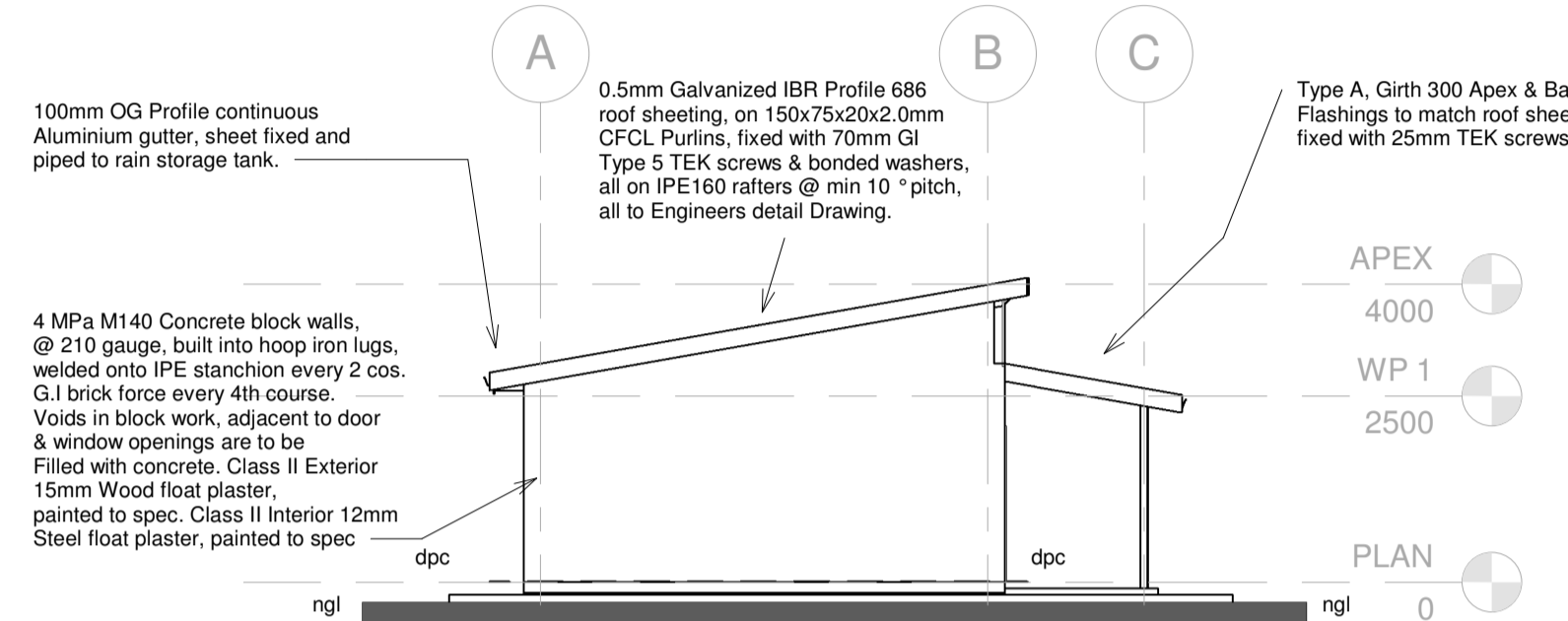
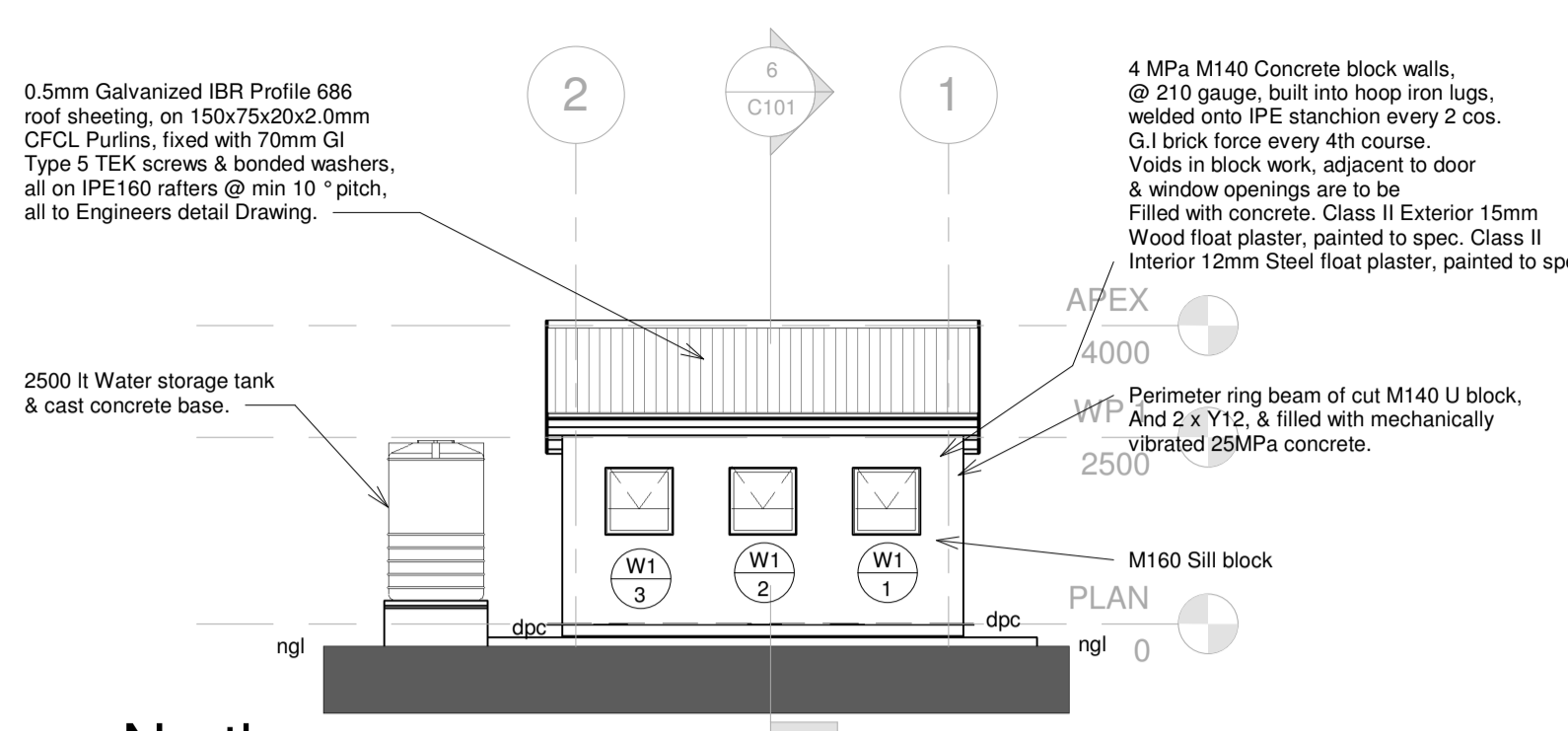


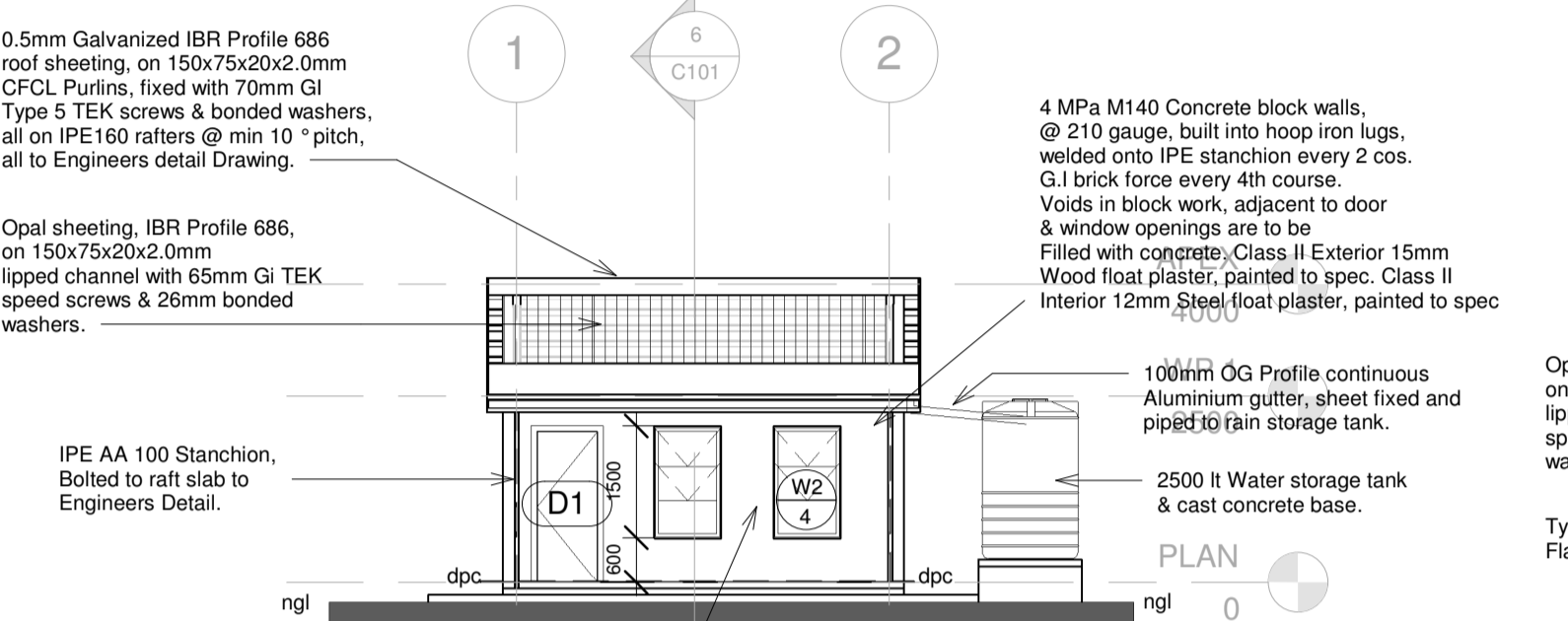
2 East
1 : 100



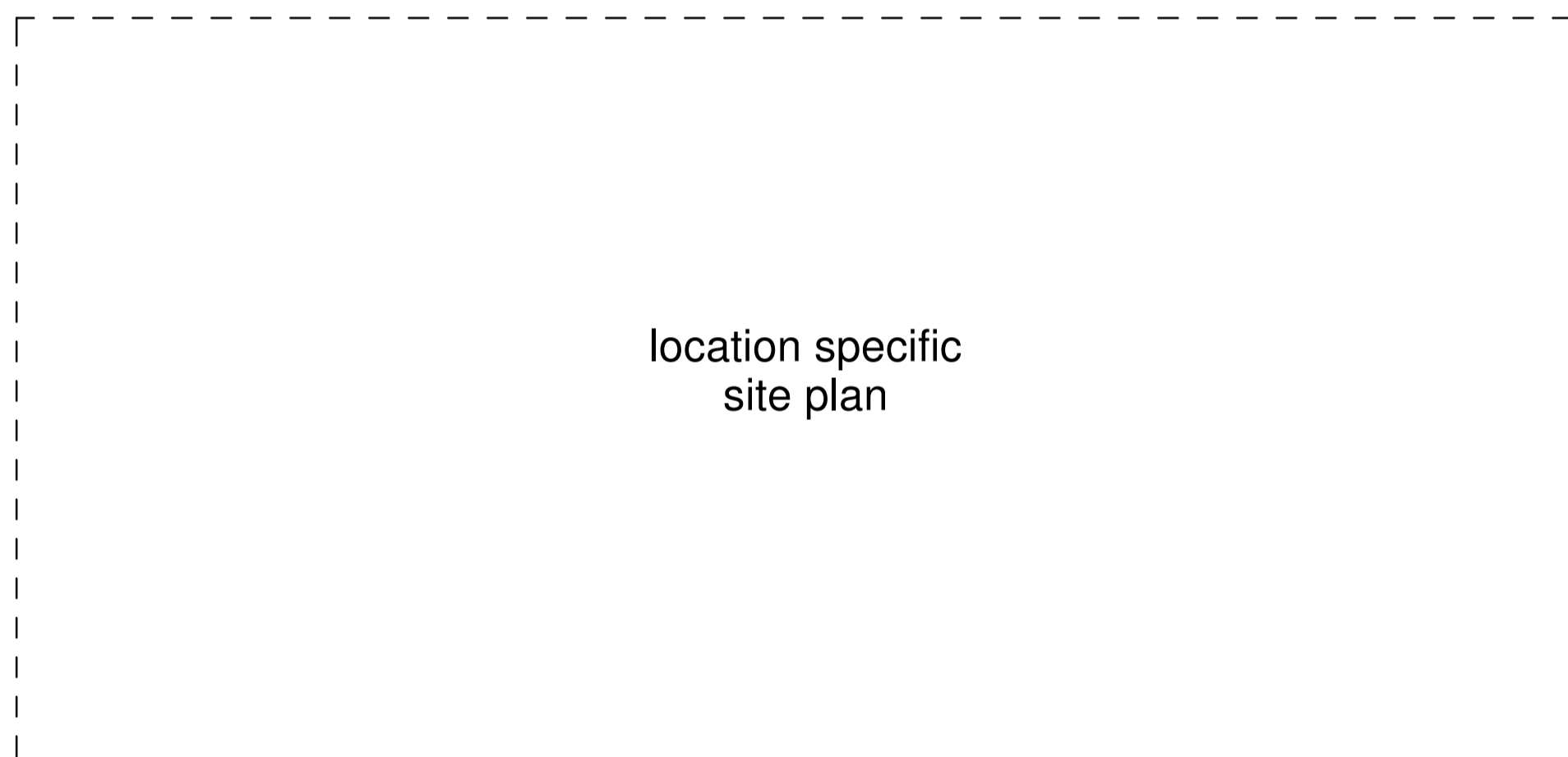
3 West
1 : 100



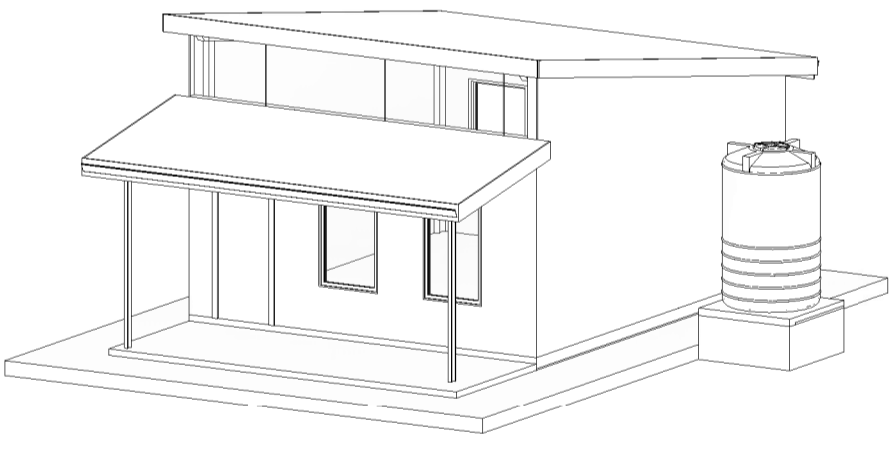
4 North
1 : 100



5 South
1 : 100



location specific site plan



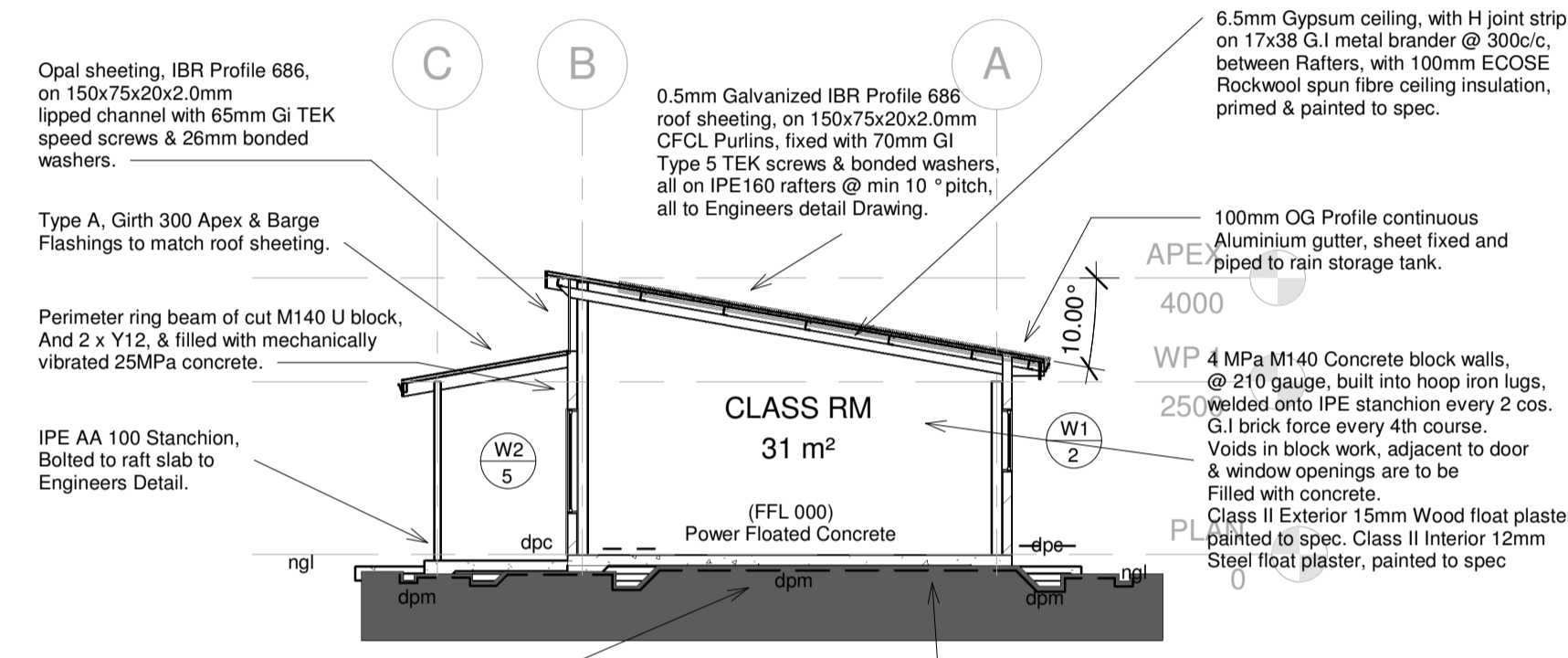
8 Perspective 3D

AREA SCHEDULE	
ERF No.	100 of 100
Site Area	1000m ²
New Covered Floor Area	41.00m ²
Coverage	4.10%
F.A.R	na

Areas
1 : 100

Responsible Persons	
Owner / Client:	
Sign:	
Engineer:	
Sign:	
Local Authority:	
Sign:	
Approved By:	
Sign:	

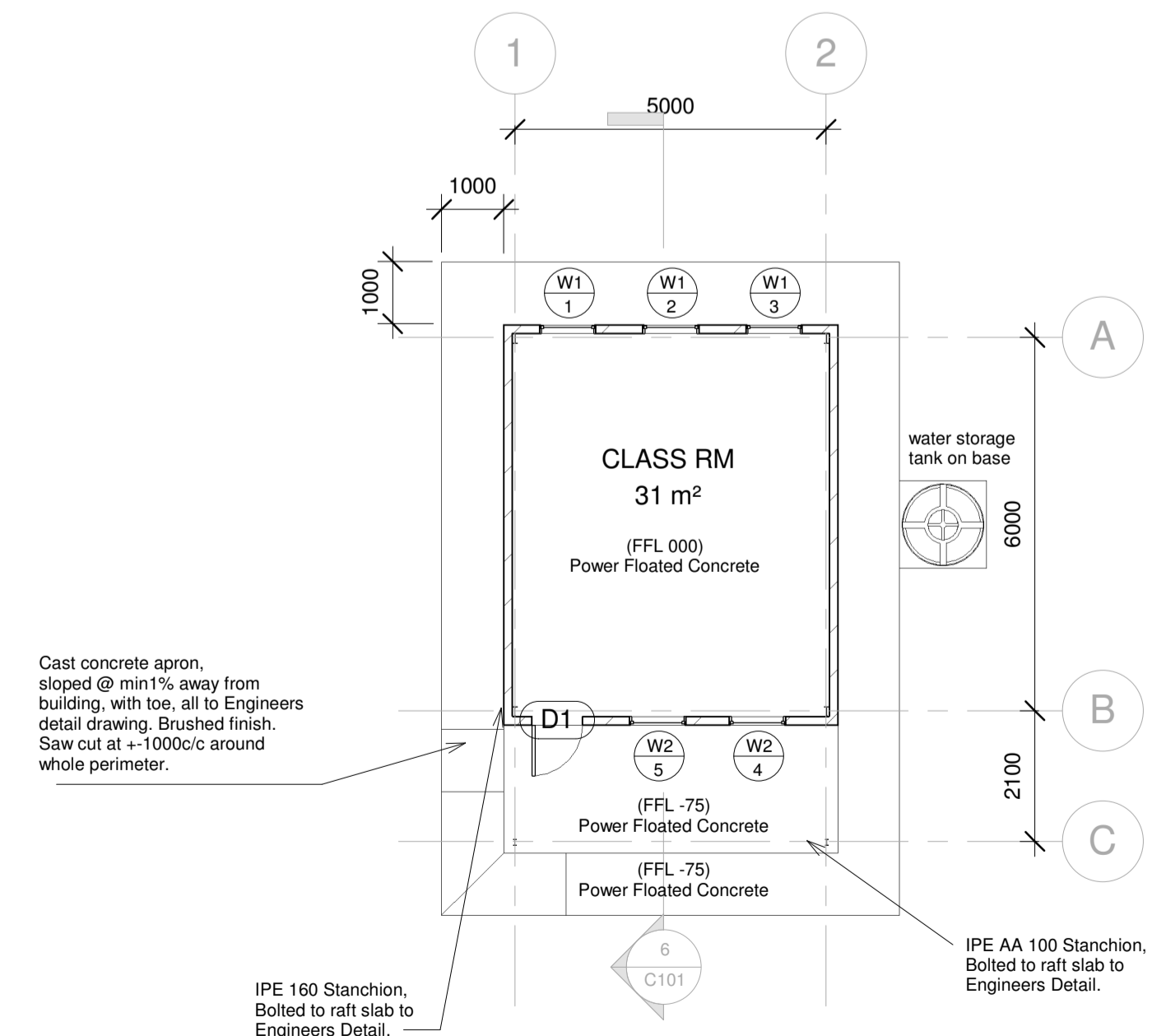
Signatures
1 : 50



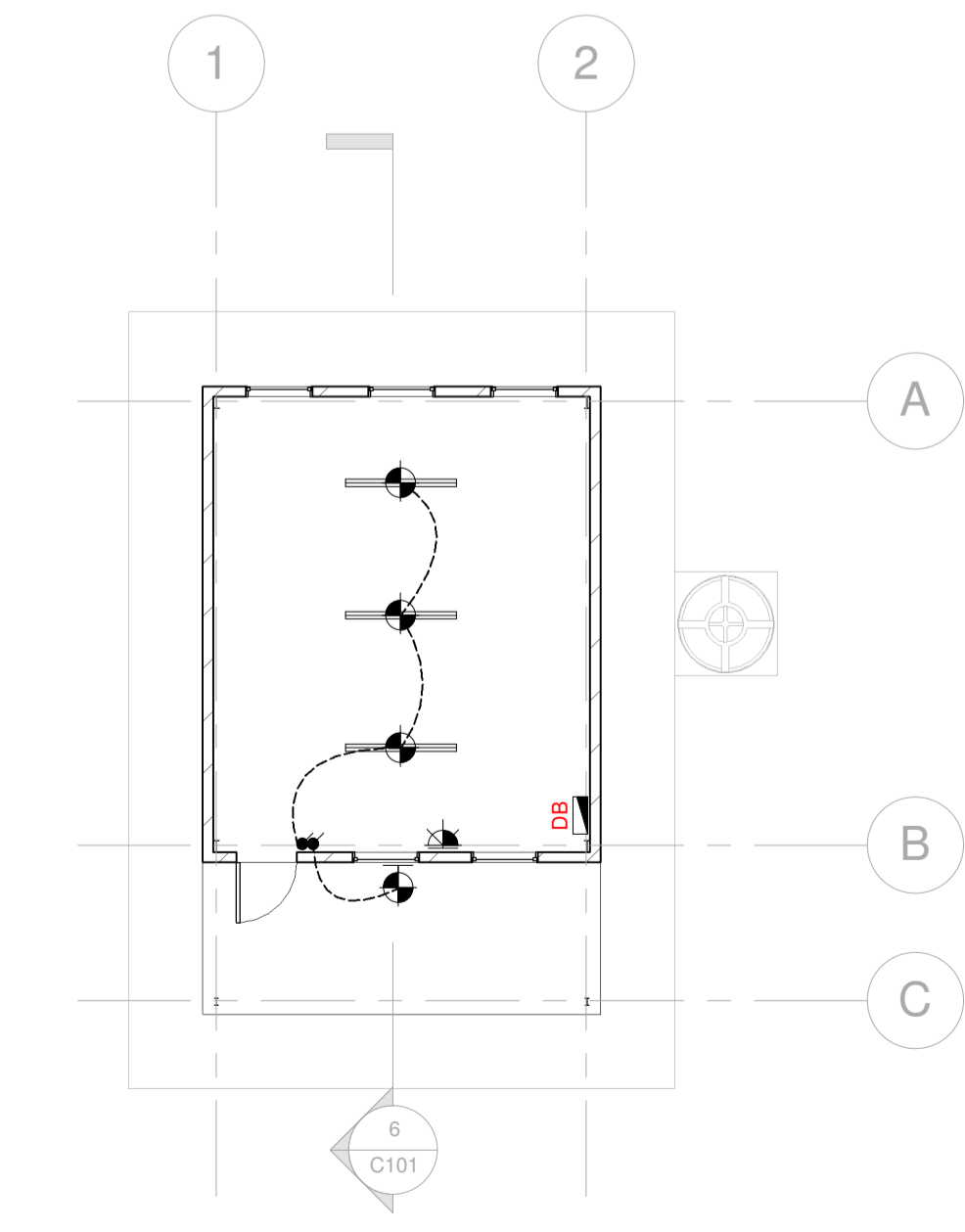
6 Section 1
1 : 100

Fenestration - Buildings with Natural Environmental Control	
Constants	
Conductance (C _g) constant	1.4
Solar Heat Gain (C _{g,sc}) constant	0.12
Storey Conductance / Solar Heat Gain	
Ground Storey	
Net Floor Area of Storey / Room: m ²	60.000
Fenestration Area of Storey / Room: m ²	4.260
% Fenestration Area to Net Floor Area: %	4.1
Permissible FENESTRATION SATISFIES SANS 10400-XA	
Max. Conductance (C _g) for Storey / Room	84.000
Max. Solar Heat Gain (C _{g,sc}) for Storey / Room	7.200
Achieved	
Conductance (C _g) for Storey / Room	35.334
Solar Heat Gain (C _{g,sc}) for Storey / Room	1.455
Available (In Hand)	
Conductance (C _g) for Storey / Room	45.604
Solar Heat Gain (C _{g,sc}) for Storey / Room	5.712
	Acceptable & refer SANS 204 (4.3.4)

SANS XA
1 : 50



1 PLAN
1 : 100



7 Electrical
1 : 100

ELECTRICAL	
Symbol	Description
[Symbol]	3 Point wall plug
[Symbol]	Ceiling LED strip light
[Symbol]	Light switch
[Symbol]	Ceiling mounted light
[Symbol]	Distribution board

Electrical
1 : 100

TAG	FRONT	TOP	QTY	NOTES
W1	[Diagram]	[Diagram]	1	PTT99 Colour : White System 38, P/C Alu. SANS 10400IN & SABS Compliant
V1	[Diagram]	[Diagram]	0	PT11 - Fixed Colour : White System 38, P/C Alu. SANS 10400IN & SABS Compliant
W3	[Diagram]	[Diagram]	3	PTT915 Colour : White Powder coated System 38, P/C Alu. SANS 10400IN & SABS Compliant
D1 - D5	[Diagram]	[Diagram]	5	8132032 Frame : GI Pressed steel Door : F&Lgd Meranti SABS 3 Lever lockset 1st Coat Pink primer Universal undercoat 2 Coats Colour Enamel

Window & Door
1 : 100

Council Notes:
ALL WORK IS TO BE DONE IN ACCORDANCE WITH THE NATIONAL BUILDING REGULATIONS (NBR) & SANS 10400 (PART A TO XA)

A: General
No part of the proposed building is to encroach beyond the existing site boundaries.
All work is to be executed in strict accordance with SANS 0400-1990 and all related codes.
All notes to refer to SANS 10400.
All structural work including foundations, roof structures, R.C. slabs & stairs to be in strict accordance with engineers' details & specifications.
All materials used in the building process should be appropriate for the intended occupancy or building classification in accordance with SANS 10400 PART A.

B: Structural design
Material, installation and maintenance all to comply with SANS 10400 B and to be certified by the Structural Engineer.
All structural expansion joints to Engineers details.

C: Dimensions
All to comply with SANS 10400 Part C.
All dimensions and levels are to be checked on site prior to setting out. Do not scale, refer only to figure dimensions.

D: Public Safety
Where necessary, Ramps shall comply with SANS 10400 Part DD3.
All work is to be in strict accordance with SANS 10400 Part D Public Safety.

E: Demolition Work
All work is to be in strict accordance with SANS 10400 Part E Demolition Work.

F: Site operations
All to comply with SANS 10400 Part F and to be certified by the Main Contractor. Property owner(s) to familiarize themselves with SANS 10400 E.

G: Excavations
All work is to be in strict accordance with SANS 10400 Part G Excavations.

H: Foundations
All new work is to be in strict accordance with SANS 10400 Part G Excavations. new work is to be in strict accordance with SANS 10400 Part H Foundations. All new foundation walls to be in strict accordance with SANS 10400 Part K9 Foundation Walls.

Windows and Doors:
Pre-cast reinforced concrete lintels are to be built into blockwork above all openings unless otherwise specified by engineer.
Lintels over all openings (max. 3m opening) with 2 course blockwork with brick force above lintel and Continuous ring beam with Y reinforcing - As per Engineers Detail.
All glazing is to be safely glazed unless otherwise specified.
All glazing is to be in strict accordance with SANS 10400 Part N Glazing.

O: Lighting and Ventilation
All work is to be in strict accordance with SANS 10400 Part O Lighting and Ventilation.

P: Drainage
All sewer pipes under floor slabs and driveways to be enclosed with min. 100mm mass concrete.
All waste fillings to have deep seal traps.
All sewer pipes to be 110mm and 160mm diameter pvc of min. fall of 1:60
All waste pipes to enter stacks separately.
All plumbing materials to carry the relevant SABS mark.
Provide dual flush system to toilets and low flow shower heads.
Seamless aluminium ogee gutters with round downpipes to match colour of roof, and piped to storage tanks where applicable.
Septic tank as per drawings.

R: Stormwater
All work is to be in strict accordance with SANS 10400 Part R Stormwater Disposal.

T: Fire Protection and Installation
All work is to be in strict accordance with SANS 10400 Part T Fire Protection.
All work is to be in strict accordance with SANS 10400 Part W Fire Installation.

V: Space heating
Where applicable to comply with SANS 10400 Part V.

W: Fire Installation
Where applicable to comply with SANS 10400 Part W.



DSD - Type C Stand Alone 1 Class Room

Project number	LM.DSD.02
Date	30.04.2020
Drawn by	Roscco
Revision No:	Rev 3

C101

Scale As indicated